



Advanced Research Microscope

ECLIPSE 80i

Revolutionary optics perfect for digital imaging

- Built-in fly-eye optics ensure uniform illumination
- Digital imaging head for an optimum Epi-Fluorescence digital imaging platform
- Hi S/N Fluorescence System employs a Noise Terminator
- Upgraded DIC performance for uniformly crisp images and versatility to support various specimens
- Plan Apo VC objectives deliver high-resolution images, right to the edges



80i with D-DH Digital Imaging Head

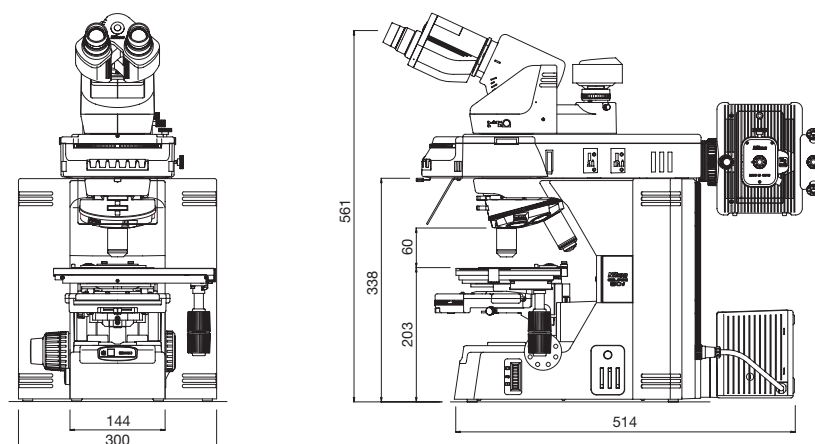
Specifications

Main Body	Optical system	CFI60 infinity optical system
	Base	Mechanical stage model / Rotatable stage model
	Illumination	Precentered 12V100W halogen transmitted illumination Built-in fly-eye lens Built-in NCB11/ ND8/ ND32 filters (detachable) & diffuser (not detachable) Preset switch Built-in power supply
	Focusing	Manual coaxial coarse/fine focusing Focusing stroke : 27mm Coarse : 14mm/rotation, Fine : 0.1mm/rotation Minimum reading : 1µm Refocusing mechanism with focus clamp, Coarse motion torque adjustable
Eyepiece Tube (Light distribution)		Y-TB Binocular Tube F.O.V. 22 Y-TF Trinocular Tube F UW F.O.V. 22/25mm (Eyepiece/Port : 100/0, 0/100) Y-TT Trinocular Tube T UW F.O.V. 22/25mm (Eyepiece/Port : 100/0, 20/80, 0/100) C-TE Ergonomic Binocular Tube F.O.V. 22mm inclination angle : 10-30 tube extension up to 40mm (*when C-TEP DSC port is attached: Eyepiece/Port 100/0, 50/50) D-DH Digital Imaging Head / D-DH-E Motorized Digital Imaging Head F.O.V. 22/25mm (Eyepiece/Front Port/Rear Port : 100/0/0, 0/100/0, 0/0/100)
Eyepiece Lens (F.O.V.)		10X (22mm), 10X M photomask (25mm), 12.5X (16mm), 15X (14.5), UW10X (25mm), UW 10X M photomask (25mm)
Nosepiece		D-NI7 Intelligent Septuple Nosepiece, D-NID6 Intelligent Sextuple DIC Nosepiece C-N Sextuple Nosepiece, D-ND6 Sextuple DIC Nosepiece
Stage		C-SRR Rotatable Rectangular Mechanical Stage (Centerable, rotation angle 220°) C-SR Rectangular Mechanical Stage Cross travel 78(X) x 54(Y) mm, with calibrations, Stay-in -position stage handle height and torque adjustable, rackless C-HC1/HL2 Specimen Holders for 1 slide/2 slides
Condenser		D-CUD Universal Dry, D-CUO DIC Oil, C-C Abbe, C-C Achromat, C-C Achromat Swing-out 1-100X, C-C Low Power, C-C Achromat/Aplanat, C-C Phase Contrast, Darkfield (Dry/Oil), LWD Achromat
Power Consumption (max.)		100-230V, 2.4A/170W
Weight (approx.)		18.2 kg (standard trinocular set)

MAIN ACCESSORIES

D-DH-E Motorized Digital Imaging Head	Eyepiece tube / 0.8-2.0X Zooming optics / 2 ports / Epi-Fluorescence illuminator (6-position Filter Turret, Noise Terminator) are included. Built-in motorized Analyzer/Epi-Shutter
D-DH Digital Imaging Head	Manual version of D-DH-E. Built-in Motorized Epi-shutter. (*Analyzer is optional)
D-FL Universal Epi-Fluorescence Attachment	6-position Filter Turret, Noise terminator, Manual Epi-shutter
D-FB Excitation Balancer	Slider to continuously adjust the excitation wavelength
Digital Sight series Digital Camera	Various combination selectable from camera head DS-5M (standard) /5Mc(cooled) and Control Unit L1(stand-alone)/U1(PC-use)

Dimensional diagram



Configured with D-FL Universal Epi-Fluorescence Attachment and C-TE Ergonomic Binocular Tube



NIKON INSTRUMENTS CO., LTD.
Parale Mitsui Bldg., 8, Higashida-cho, Kawasaki-ku,
Kawasaki, Kanagawa 210-0005, Japan
phone: +81-44-223-2167 fax: +81-44-223-2182
www.nikon-instruments.jp/eng/

NIKON INSTRUMENTS (SHANGHAI) CO., LTD.
CHINA phone: +86-21-5058-5055 fax: +86-21-5058-5060
(Beijing office)
CHINA phone: +86-10-5869-2255 fax: +86-10-5869-2277

NIKON SINGAPORE PTE LTD
SINGAPORE phone: +65-6559-3618 fax: +65-6559-3668
NIKON MALAYSIA SDN. BHD.
MALAYSIA phone: +60-3-78763887 fax: +60-3-78763387